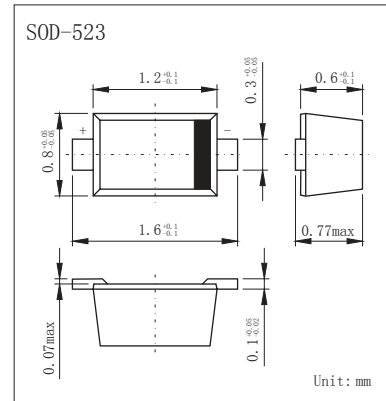
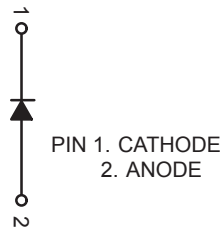


Schottky Diodes

RB751S-100(KB751S-100)

■ Features

- Extremely High Switching Speed
- Low-Forward Voltage and Low Reverse Current
- High Reliability
- Schottky Barrier Diodes Encapsulated in a SOD523 Package

■ Absolute Maximum Ratings $T_a = 25^\circ\text{C}$

| Parameter | Symbol | Rating | Unit |
|----------------------------------|-----------|------------|------|
| Peak Reverse voltage | V_{RM} | 100 | V |
| Average Rectified Output Current | I_o | 200 | mA |
| Junction Temperature | T_J | 125 | °C |
| Storage temperature range | T_{stg} | -40 to 150 | |

■ Electrical Characteristics $T_a = 25^\circ\text{C}$

| Parameter | Symbol | Test Conditions | Min | Typ | Max | Unit |
|---------------------------------|----------|-------------------------|-----|-----|------|---------------|
| Reverse breakdown voltage | V_R | $I_R = 100 \mu\text{A}$ | 100 | | | V |
| Forward voltage | V_{F1} | $I_F = 200 \text{ mA}$ | | | 0.92 | |
| Reverse voltage leakage current | I_{R1} | $V_R = 100 \text{ V}$ | | | 20 | μA |

■ Marking

| | |
|---------|------------|
| NO. | RB751S-100 |
| Marking | 6 |